

**RESOLUTION NO. R21-10**

**A RESOLUTION OF THE CITY COUNCIL SELECTING RDO EQUIPMENT AS THE  
SUCCESSFUL  
BIDDER FOR THE CITY'S PURCHASE OF A BACKHOE.**

WHEREAS, the City of Laurel planned to purchase new equipment, specifically a backhoe, which was publicly advertised for competitive bids from interested and qualified bidders; and

WHEREAS, City Staff reviewed and considered the bids received and recommends the City Council award the bid to the qualified and responsive bid that appears to be in the City's best interest; and

WHEREAS, RDO Equipment submitted a bid of \$165,500.00 for a backhoe that meets the City's specifications. City Staff determined the bid is in the best interest of the City. The Bid documents are attached hereto and incorporated herein.

NOW, THEREFORE, BE IT RESOLVED the City Council of the City of Laurel, Montana, finds that the City has followed its procurement policies and state law requiring competitive bidding; and

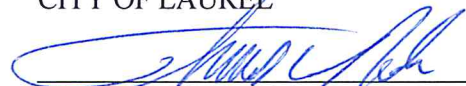
BE IT FURTHER RESOLVED the City Council hereby awards the bid to RDO Equipment for its bid price of \$165,500.00. The Mayor and City Clerk are authorized to sign all necessary documents, agreements or contracts on the City's behalf consistent with this resolution for the equipment purchase.

Introduced at a regular meeting of the City Council on February 23, 2021, by Council Member Herr.


PASSED and APPROVED by the City Council of the City of Laurel this 23<sup>rd</sup> day of February 2021

APPROVED by the Mayor this 23<sup>rd</sup> day of February 2021.

CITY OF LAUREL

  
\_\_\_\_\_  
Thomas C. Nelson, Mayor

ATTEST:

  
\_\_\_\_\_  
Bethany Langve, Clerk-Treasurer, Clerk-Treasurer

Approved as to form:

  
\_\_\_\_\_  
Sam Painter, Civil City Attorney





L-SERIES  
**BACKHOES**



JOHN DEERE

310L EP / 310L / 310SL / 310SL HL / 315SL / 410L / 710L



*LIFT MORE*  
**AND MULTITASK**



A high-angle, close-up photograph of a yellow excavator bucket dumping a large amount of dark, rich soil into a trench. The soil is piled high on the left side of the frame, and the bucket is positioned on the right, tilted downwards. The background shows a clear blue sky and a sandy or light-colored ground surface.

*THE L-SERIES*

*LOOKING FOR MORE  
RELIABILITY AND PRODUCTIVITY?*

*WE'VE GOT  
YOUR BACKHO  
AND YOUR*





+



RELIABLE

PRODUCTIVE



DEERE

E.  
BACK.





**15%**  
**MORE**  
CRANING  
CAPACITY  
FOR THE 310SL  
WITH LIFT MODE

WHEN WE NEED REAL-WORLD FEEDBACK,  
**WE ASK CUSTOMERS LIKE YOU.**

Our trusted Customer Advocate Groups (CAGs) provide us with invaluable input from owners and operators — the ones just like you who know what customers really need.

**And we listen.** Our economically priced, rental-friendly 310L EP — with four-speed synchromesh manual transmission — and newly redesigned 310SL — with closed-center, pressure-compensated load-sensing (PCLS) hydraulics that boost productivity, machine control, and craning capacity — are just the latest examples of how we deliver the machines and features to help your operation succeed in the working world.



# GET MORE DONE WITH ONE

## MULTIFUNCTION VERSATILITY, EXCEPTIONAL CAPABILITY.

Why run two machines when one will do? Whether you're loading trucks, busting up blacktop, placing pipe, digging trenches, or moving materials, an L-Series Backhoe is more than up to the task. Building upon our highly productive K-Series Backhoes, the L-Series features additional backhoe lift capability and PCLS hydraulics (on the 310SL, 310SL HL, 410L, and 710L), for superb multifunction performance. The result: our most versatile backhoes ever.

### Proven engine technology

You can feel confident in the reliability, performance, and fuel efficiency of the 310L EP's proven Yanmar 3.3L engine. This EPA Interim Tier 4 (IT4)-equivalent diesel complies with EPA Final Tier 4 (FT4)/EU Stage IV emissions regulations without the need for aftertreatment components, minimizing machine complexity and the number of parts needed to maintain your fleet.

### Powerful FT4 engines

Rugged FT4/Stage IV John Deere PowerTech™ EWL 4045 engine on the 310L, 310SL, 310SL HL, 315SL, and 410L boosts power, torque, and reliability compared to previous models. Simple two-valve cylinder-head, wet-sleeve design with replaceable cylinder liners provides uniform cooling and aids in reducing oil breakdown and ring wear. Filter locations have been redesigned and improved over earlier models.

### Multifunction hydraulics

PCLS hydraulics on the 310SL, 310SL HL, 410L, and 710L supply superb multifunction capability at all engine-rpm speeds.

### Control the ride and the load

Auto ride control eliminates the need to manually turn the feature on and off during load and carry applications, enhancing the operator's ease of use. When activated, front loader cylinders function as a shock absorber, smoothing the ride over rough terrain and reducing material spillage. On/Off functionality is controlled by ground speed and can be adjusted by the operator in the cab's display monitor.

### Set it and go to work

When enabled on the sealed-switch module, AutoShift (standard on 310SL, 310SL HL, 315SL, 410L, and 710L) automatically shifts the PowerShift™ transmission to the appropriate gear. Simply set the control lever to the highest gear desired, and the transmission will optimally shift based on engine rpm and ground speed.

### True four-wheel drive on command

Limited-slip mechanical-front-wheel drive (MFWD) (not available on 310L EP) delivers surefooted traction in any ground condition. Engage momentary MFWD "on the fly" with the touch of a button on the loader control.

### Make the shift

New powered sideshift option for the 315SL enables smooth side-by-side shifts in under six seconds, for more precise backhoe repositioning. Its design includes a series of two hydraulic cylinders used to smoothly shift the backhoe, eliminating the need for a chain-drive or pulley system. It's easily unlocked and controlled via the combination in-cab switch on the main control panel.

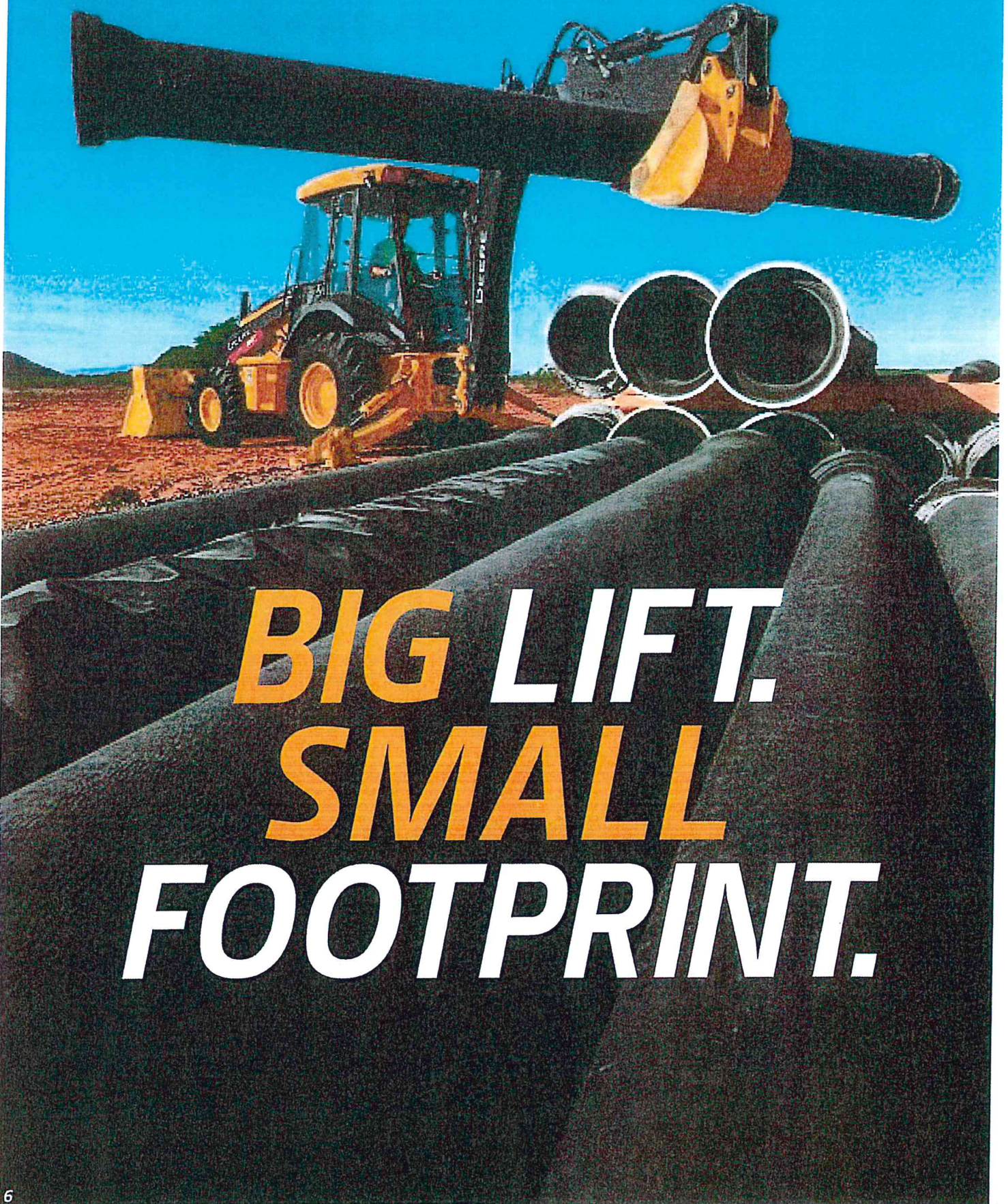
Powered sideshift option allows operators to take full advantage of the 315SL's narrow footprint with vertical stabilizers. This is particularly valuable in applications such as street repair; underground utility work in congested urban areas; constructing square trench boxes; and digging next to buildings, walls, or other structures.



*Not all features described are available for all models or configurations. Please review the Additional Equipment section and consult with your local dealer for the latest standard and optional offerings.*



STANDOUT FEATURE



**BIG LIFT.  
SMALL  
FOOTPRINT.**



# HEAVY-LIFT BACKHOES

Managing an expanding workload and multiple tasks doesn't have to mean moving up to a larger backhoe. Boasting significantly more lifting capability than previous models, along with pressure-compensated load-sensing (PCLS) hydraulics, our 310SL, 310SL HL, 410L, and 710L are surprisingly adept — and may be the perfect addition to your equipment lineup.



## See what you can do now

Now with PCLS hydraulics, the 310SL features provide increased productivity and smooth multifunction control, with increased cycle times improving trenching productivity by 16 percent over the prior 310SL design. Trenching operation can be conducted at a lower engine rpm, reducing fuel consumption and jobsite noise.

## More lift capacity at the push of a button

Lift mode on the 310SL, 310SL HL, 410L, and 710L provides an additional boost of 10 to 15 percent. Simply push a button on the sealed-switch module to set engine rpm at 1,400 and maximize hydraulic pressure for increased lifting capability.



## The choice is yours

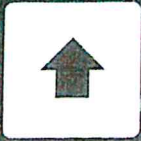
The 310SL and 310SL HL deliver all the advantages of PCLS hydraulics in the 14-foot digging-depth category, enabling operator efficiency and productivity through improved multifunction control. For additional performance, the 310SL HL has up to 25-percent-more rear-craning capacity and 10 more net horsepower.



## Control in close quarters

Standard on the 310SL, 310SL HL, 410L, and 710L, precision mode reduces the speed of hydraulic backhoe functions without sacrificing lift performance, for close work around underground utilities or jobsite obstacles, or when lifting. This control-enhancing feature is especially useful for less experienced operators or new trainees.





*PILOT TOWERS  
OPTIMIZE LEGROOM  
& SPACE TO ROTATE*



## ***CONTROL AT YOUR FINGERTIPS***

*MAXIMUM PRODUCTIVITY IS CLOSE AT HAND.*

Increased productivity is within easy reach in an L-Series Backhoe. Loader-control grip and pilot controllers provide effortless, fingertip operation of the backhoe and loader, while other machine functions are conveniently located on the steering column.





## CLEAR SIGHTLINES TO FRONT LOADER BUCKET

### Extend your workday

LED lighting kit brings things into focus when your workday goes long. For enhanced trenching visibility, boom-light field kit for the 310SL, 310SL HL, and 410L includes two LED floodlights mounted to each side of the boom.

### Take it easy

Enhanced "palm-on-top" loader-control grip is comfortable and easy to use. Redesigned loader-lever linkage reduces resistance and improves its throw and feel, decreasing lever travel by up to 15 percent.

### Steering column controls

Exterior lights, wipers, and turn signals are conveniently located on the multifunction lever on the steering column — just like the family SUV — helping operators keep their eyes on the job at hand.

### Excellent view to front loader bucket

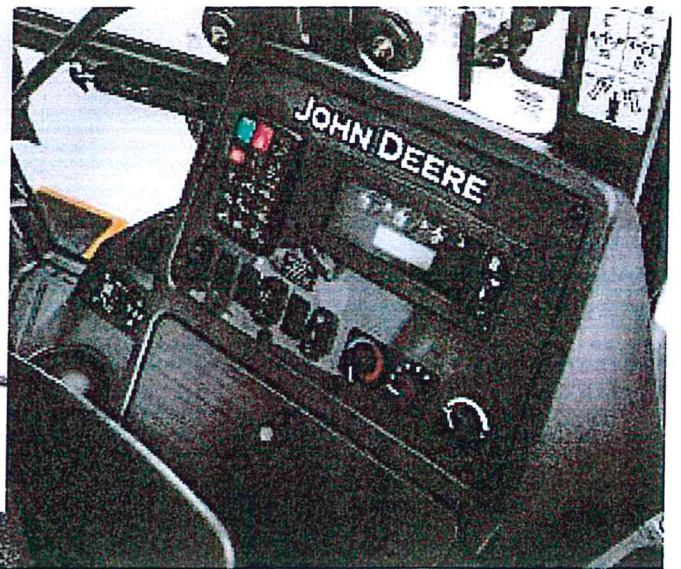
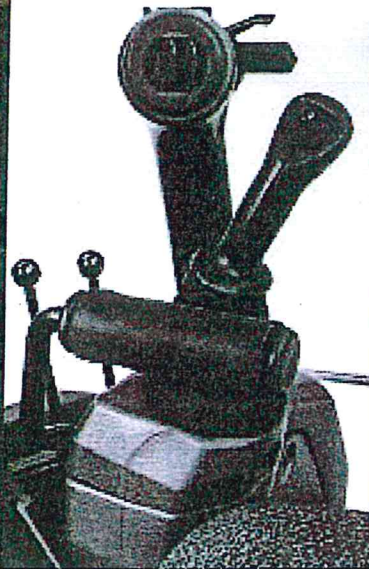
Clear sightlines to the loader bucket corners have been maintained over the sloped hood, even with the addition of the aftertreatment components needed to meet FT4/Stage IV compliance.

### Fatigue-beating comfort

L-Series Backhoes are loaded with creature comforts, including efficient HVAC system, adjustable mechanical or air-suspension seat, and optional premium radio with Bluetooth® and auxiliary input.

### Have a seat — your way

Two seat options are available from the factory to maximize comfort and productivity. A heated, air-suspension seat helps keep the operator warm and comfortable even on the coldest days. An air-suspension seat smoothes the ride for open-canopy configurations.

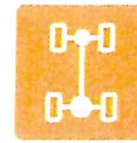




# UNSURPASSED RELIABILITY

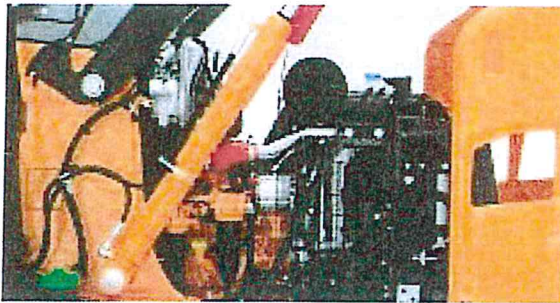
WON'T BACK DOWN. OR LET YOU DOWN.

Built with state-of-the-art tools and technology by a quality-conscious workforce at our world-class facility in Dubuque, Iowa, U.S.A., L-Series Backhoes deliver superb reliability and uptime. When you know how they're built, you'll see how tough they are.



## 4WD

OPTION AT YOUR  
COMMAND



### Your bucket list

Our multipurpose buckets have been enhanced to boost durability. New clamshell design features tilt-free dumping, a reinforced third cutting edge, and improved hinge profile for minimized material spillage compared to previous offerings.

### Bias and radial tire options

Choose from a variety of factory-installed tire options, for the traction, performance, and long service life your specific application requires. On mechanical-front-wheel drive (MFWD)-equipped models, the machine will automatically disable MFWD in fourth and fifth gears to reduce tire wear.

### Maintenance-free batteries

Standard maintenance-free batteries reduce periodic servicing, improve cold-starting reliability, and lengthen battery life.

### Diff-lock protection

Enabled through the monitor, differential-lock protection prevents engagement at high travel speeds and the resulting wear and tear on axle components.

### Quick, clean filter changes

Vertical spin-on engine, transmission, and hydraulic filters and quick-release fuel filters allow fast, clean changes. Standard heavy-duty transmission oil filter enhances reliability over standard-duty filter. Diesel exhaust fluid (DEF) filter has been relocated from the tank, improving access and extending the change interval.

### Put the brakes on

When MFWD braking is enabled through the monitor and the brakes are applied, the machine automatically activates MFWD, slowing the machine down faster and extending service-brake life.

### Premium hydraulic oil

L-Series Backhoes come factory-filled with Hydrau™ premium all-season, anti-wear hydraulic oil specifically designed for construction equipment. For cold weather, opt for Hydrau™ XR, which offers all-season protection from -40 to 40 deg. C (-40 to 104 deg. F).

### Protect your investment

Machine-security system with touchpad passcode safeguards against unauthorized operation.

### Get connected

Customer-inspired backhoe hydraulic quick-coupler option helps expand jobsite capabilities. When equipped, both front loader and rear backhoe hydraulic couplers are conveniently controlled, based on seat position, by a single button on the sealed-switch module.





THE 710L



**21' 9"**

MAXIMUM DIGGING DEPTH  
(WITH OPTIONAL EXTENDABLE DIPPERSTICK)



UP TO **10%**  
INCREASE IN BACKHOE  
LIFT CAPACITY  
(WITH LIFT MODE ACTIVATED)



**13%**  
MORE HORSE-  
POWER THAN  
PREVIOUS MODEL













# 710L SPECIFICATIONS

While general information, pictures, and descriptions are provided, some illustrations and text may include product options and accessories NOT AVAILABLE in all regions, and in some countries products and accessories may require modifications or additions to ensure compliance with the local regulations of those countries.

<b>Engine</b>		<b>710L</b>
Manufacturer and Model	John Deere PowerTech™ Plus 4045HT084 series turbocharged	
Non-Road Emission Standard	EPA Final Tier 4/EU Stage IV	
Displacement	4.5 L (276 cu. in.)	
Gross Peak Power	112 kW (150 hp) at 2,240 rpm	
Net Peak Power (ISO 9249)	110 kW (148 hp) at 2,240 rpm	
Net Peak Torque (ISO 9249)	570 Nm (420 lb.-ft.) at 1,400 rpm	
Net Torque Rise	20%	
Lubrication	Pressure system with spin-on filter and cooler	
Air Cleaner	Dual-stage dry type with safety element and evacuator valve	
<b>Cooling</b>		
Fan Type	Electronically controlled, variable rate, suction-type cooling fan	
Engine Coolant Rating	-40 deg. C (-40 deg. F)	
Engine Oil Cooler	Oil to water	
<b>Powertrain</b>		
Transmission	4-speed, helical-cut gears, full PowerShift™ transmission with hydraulic reverser standard; electric clutch cutoff on loader lever; standard AutoShift	
Torque Converter	Single stage, dual phase with 1.92:1 stall ratio, 280 mm (11 in.)	
Maximum Travel Speeds with Standard Engine with Mechanical-Front-Wheel Drive (MFWD), Measured with 21L-28 Rear Tires	<i>Forward</i>	<i>Reverse</i>
Gear 1	6.0 km/h (3.7 mph)	6.7 km/h (4.2 mph)
Gear 2	10.0 km/h (6.2 mph)	11.2 km/h (7.0 mph)
Gear 3	24.6 km/h (15.3 mph)	27.4 km/h (17.0 mph)
Gear 4	36.9 km/h (22.9 mph)	—
<b>Axles</b>		
Axle Oscillation, Stop to Stop, Front Axle	18 deg.	
Axle Ratings	<i>Front</i>	<i>Rear</i>
SAE J43	9000 kg (19,800 lb.)	11 500 kg (25,400 lb.)
Dynamic	12 500 kg (27,600 lb.)	14 000 kg (30,900 lb.)
Static	30 500 kg (67,200 lb.)	31 000 kg (68,300 lb.)
Ultimate	45 000 kg (99,200 lb.)	45 000 kg (99,200 lb.)
<b>Differentials</b>		
MFWD Axle	Automatic, limited-slip traction control	
Rear Axle	Foot actuated, hydraulically engaged mechanical lock	
Steering (ISO 5010)	Hydrostatic power steering and emergency steering	
Axle	<i>MFWD</i>	<i>Non-Powered Front</i>
Curb-Turning Radius		
With Brakes	3.99 m (13 ft. 1 in.)	3.98 m (13 ft. 1 in.)
Without Brakes	4.58 m (15 ft. 0 in.)	4.57 m (15 ft. 0 in.)
Bucket-Clearance Circle		
With Brakes	11.42 m (37 ft. 6 in.)	11.43 m (37 ft. 6 in.)
Without Brakes	12.30 m (40 ft. 4 in.)	12.31 m (40 ft. 5 in.)
Steering Wheel Turns (lock to lock, flow amplified)	2.7 to 4.4	2.9 to 4.7
MFWD Axle	Heavy duty, outboard planetary final drives distribute shock loads over 3 gears	
Rear Axle	Heavy duty, inboard planetary final drives distribute shock loads over 3 gears	
<b>Brakes (ISO 3450)</b>		
Service	Full power, hydraulic wet disc, mounted inboard, self-adjusting and self-equalizing	
Parking	Spring applied, hydraulically released, wet, multi-disc, independent of service brakes with electric switch control	
<b>Hydraulics</b>		
Main Pump	Pressure compensated load sensing (PCLS), axial-piston pump	
Pump Flow at 2,200 rpm, Backhoe and Loader	197 L/m (52 gpm)	
System Relief Pressure, Backhoe and Loader		
Backhoe	24 993 kPa (3,625 psi)	
Lift Mode	26 890 kPa (3,900 psi)	
Loader	24 993 kPa (3,625 psi)	



# 710L SPECIFICATIONS



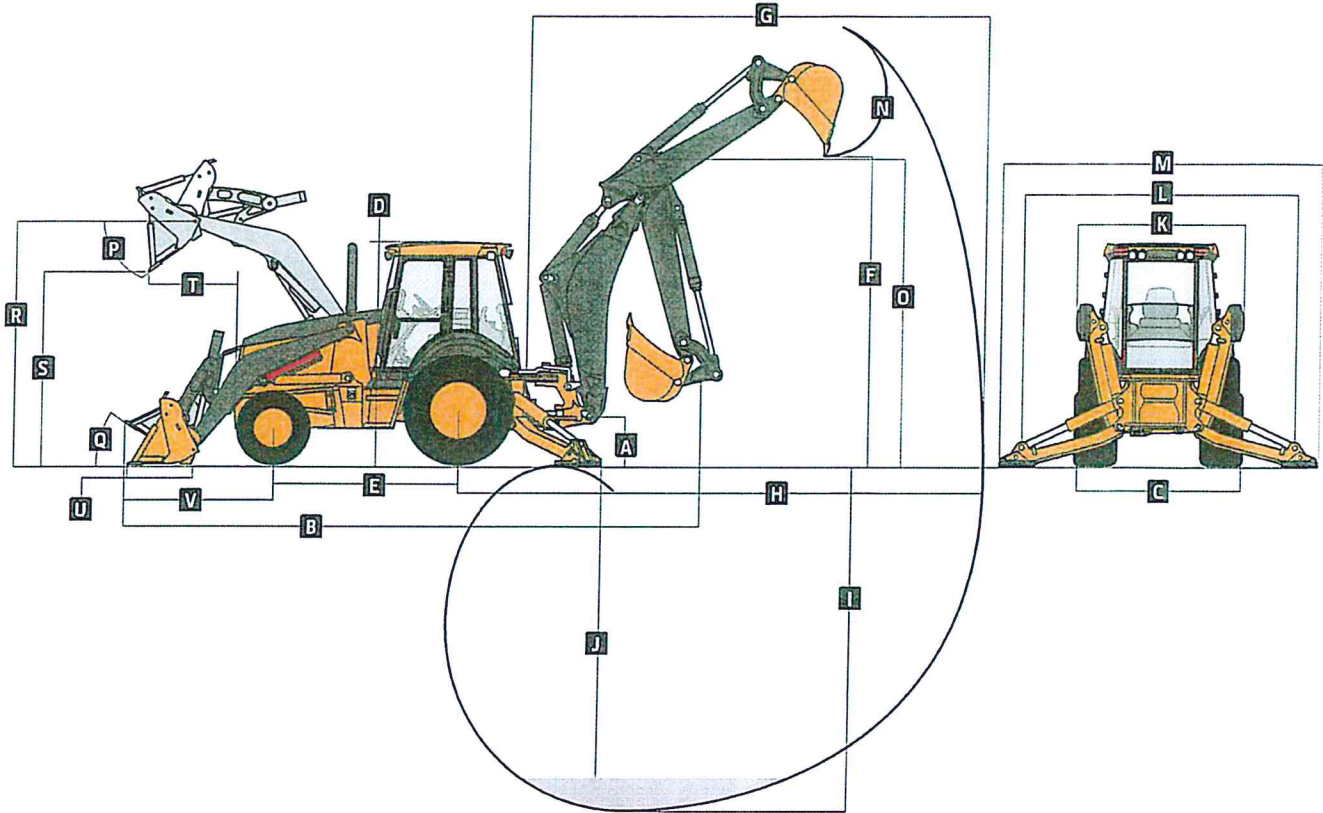
While general information, pictures, and descriptions are provided, some illustrations and text may include product options and accessories NOT AVAILABLE in all regions, and in some countries products and accessories may require modifications or additions to ensure compliance with the local regulations of those countries.

Hydraulics <i>(continued)</i>		710L	
<b>Controls</b>			
Backhoe	Pilot controls with pattern select standard; electrohydraulic (EH) auxiliary functions optional		
Loader	Single-lever control with electric clutch cutoff, momentary MFWD, transmission quick-shift, and EH auxiliary loader control optional		
<b>Cylinders</b>			
Heat-treated, chrome-plated, polished rods; hardened steel (replaceable bushings) pivot pins			
	<i>Bore</i>	<i>Rod Diameter</i>	<i>Stroke</i>
Loader Boom (2)	100 mm (3.94 in.)	56 mm (2.20 in.)	805 mm (31.69 in.)
Loader Bucket (1)	110 mm (4.33 in.)	56 mm (2.20 in.)	672 mm (26.44 in.)
Backhoe Boom (1)	160 mm (6.30 in.)	95 mm (3.74 in.)	944 mm (37.17 in.)
Backhoe Crowd (1)	140 mm (5.51 in.)	85 mm (3.35 in.)	792 mm (31.16 in.)
Backhoe Bucket (1)	110 mm (4.33 in.)	70 mm (2.76 in.)	939 mm (36.97 in.)
Backhoe Swing (2)	110 mm (4.33 in.)	56 mm (2.20 in.)	308 mm (12.13 in.)
Backhoe Extendable Dipperstick (1)	80 mm (3.15 in.)	45 mm (1.77 in.)	1372 mm (54.00 in.)
Backhoe Stabilizer, Extended (2)	115 mm (4.53 in.)	63 mm (2.48 in.)	588 mm (23.15 in.)
Non-Powered Axle (1)	75 mm (2.95 in.)	45 mm (1.77 in.)	240 mm (9.45 in.)
MFWD (1)	75 mm (2.95 in.)	50 mm (1.97 in.)	260 mm (10.24 in.)
<b>Electrical</b>			
Voltage	12 volt		
Alternator Rating	160 amp (cab)		
Lights	10 halogen: 4 front, 4 rear, and 2 side docking (32,500 candlepower each); turn signals and flashers: 2 front and 2 rear; stop and taillights; and 2 rear reflectors; factory-installed option for 2 LED spotlights and 8 LED floodlights in lieu of standard halogen light package		
<b>Operator Station</b>			
Type (ISO 3471)	Fully enclosed cab, isolation mounted, ROPS/FOPS, left/right access, with molded roof; optional canopy		
<b>Tires/Wheels</b>			
	<i>Front</i>	<i>Rear</i>	
Non-Powered Front Axle	12.5/80-18 F3 (16)	21L-28 R4 (18)	
	14.5/75-16.1 F3 (16)	20.5-25 L-3 (20)	
With MFWD	15-19.5 R4 (12)	21L-28 R4 (18)	
	15-19.5 R4 (12)	20.5-25 L-3 (20)	
<b>Serviceability</b>			
<b>Refill Capacities</b>			
Cooling System			
Cab	28.4 L (30 qt.)		
Canopy	26.4 L (27.9 qt.)		
Rear Axle	25 L (26.4 qt.)		
Engine Oil (including vertical spin-on filter)	13 L (13.7 qt.)		
Torque Converter and Transmission	15.1 L (16 qt.)		
Fuel Tank (with ground-level fueling)	174.1 L (46 gal.)		
Diesel Exhaust Fluid (DEF) Tank	13.7 L (3.6 gal.)		
Hydraulic System	174.1 L (46 gal.)		
Hydraulic Reservoir	50.1 L (13.2 gal.)		
MFWD Housing			
Axle	15 L (15.9 qt.)		
Planetary (each)	2.2 L (2.3 qt.)		
<b>Operating Weights</b>			
With Full Fuel Tank, 79-kg (175 lb.) Operator, and Standard Equipment	11 607 kg (25,588 lb.)		
Typical with Cab, MFWD, Extendable Dipperstick, and 680-kg (1,500 lb.) Counterweight	12 262 kg (27,033 lb.)		
<b>Optional Components (weight difference between base equipment and option)</b>			
Cab	293 kg (645 lb.)		
MFWD with Tires	373 kg (822 lb.)		
Extendable Dipperstick	318 kg (700 lb.)		
Front Loader Coupler	363 kg (800 lb.)		



While general information, pictures, and descriptions are provided, some illustrations and text may include product options and accessories NOT AVAILABLE in all regions, and in some countries products and accessories may require modifications or additions to ensure compliance with the local regulations of those countries.

Overall Dimensions	710L
A Ground Clearance, Minimum	356 mm (14 in.)
B Overall Length, Transport	8.23 m (27 ft. 0 in.)
C Width Over Tires	2.37 m (7 ft. 9 in.)
D Height to Top of ROPS/Cab	2.97 m (9 ft. 9 in.)
E Length from Axle to Axle	
Non-Powered Front Axle	2.58 m (8 ft. 5 in.)
MFWD Axle	2.55 m (8 ft. 4 in.)



### Backhoe Dimensions and Performance

Backhoe specifications are with 610-mm x 0.31-m<sup>3</sup> (24 in. x 11 cu. ft.) bucket; dipper lift specs are with a boom angle of 65 deg.

Bucket Range	610–914 mm (24–36 in.)
Digging Force	
Bucket Cylinder	78.4 kN (17,622 lb.)
Lift Mode	84.3 kN (18,959 lb.)
Crowd Cylinder	53.4 kN (11,999 lb.)
Lift Mode	57.4 kN (12,910 lb.)
Swing Arc	180 deg.
Operator Control	Pilot control

	With Standard Backhoe	With Optional Extendable Dipperstick	
		Retracted	Extended
F Loading Height, Truck Loading Position	4.45 m (14 ft. 7 in.)	4.49 m (14 ft. 9 in.)	5.35 m (17 ft. 6 in.)
G Reach from Center of Swing Pivot	6.84 m (22 ft. 5 in.)	6.84 m (22 ft. 5 in.)	8.15 m (26 ft. 9 in.)
H Reach from Center of Rear Axle	8.11 m (26 ft. 7 in.)	8.11 m (26 ft. 7 in.)	9.42 m (30 ft. 11 in.)
I Digging Depth (SAE maximum)	5.26 m (17 ft. 3 in.)	5.26 m (17 ft. 3 in.)	6.63 m (21 ft. 9 in.)
J Digging Depth (SAE)			
610-mm (2 ft.) Flat Bottom	5.25 m (17 ft. 3 in.)	5.25 m (17 ft. 2 in.)	6.62 m (21 ft. 8 in.)
2440-mm (8 ft.) Flat Bottom	4.96 m (16 ft. 3 in.)	4.96 m (16 ft. 3 in.)	6.40 m (21 ft. 0 in.)
K Stabilizer Width, Transport	2.41 m (7 ft. 11 in.)	2.41 m (7 ft. 11 in.)	2.41 m (7 ft. 11 in.)
L Stabilizer Spread, Operating	3.99 m (13 ft. 1 in.)	3.99 m (13 ft. 1 in.)	3.99 m (13 ft. 1 in.)
M Stabilizer Overall Width, Operating	4.65 m (15 ft. 3 in.)	4.65 m (15 ft. 3 in.)	4.65 m (15 ft. 3 in.)
N Bucket Rotation	190 deg.	190 deg.	190 deg.
O Transport Height	4.23 m (13 ft. 10 in.)	4.23 m (13 ft. 10 in.)	4.23 m (13 ft. 10 in.)

### Loader Dimensions and Performance

P Bucket Dump Angle, Maximum	45 deg.
Q Rollback Angle at Ground Level	40 deg.



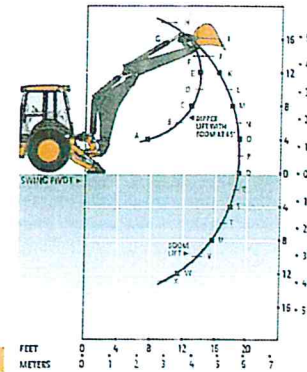
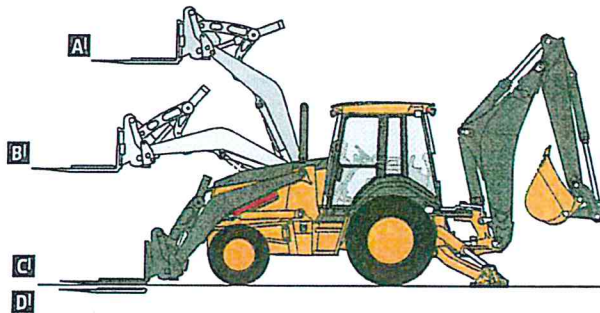
While general information, pictures, and descriptions are provided, some illustrations and text may include product options and accessories NOT AVAILABLE in all regions, and in some countries products and accessories may require modifications or additions to ensure compliance with the local regulations of those countries.

**Loader Dimensions and Performance (continued) 710L**

	Standard-duty	Standard-duty	Multipurpose
Bucket Capacity	1.24 m <sup>3</sup> (1.62 cu. yd.)	1.43 m <sup>3</sup> (1.87 cu. yd.)	1.00 m <sup>3</sup> (1.31 cu. yd.)
Width	2464 mm (97 in.)	2464 mm (97 in.)	2451 mm (96 in.)
Weight	830 kg (1,830 lb.)	866 kg (1,909 lb.)	995 kg (2,193 lb.)
Breakout Force	73.6 kN (16,539 lb.)	70.5 kN (15,853 lb.)	73.3 kN (16,474 lb.)
Lift Capacity, Full Height	4475 kg (9,866 lb.)	4239 kg (9,346 lb.)	4081 kg (8,998 lb.)
R Height to Bucket Hinge Pin, Maximum	3.73 m (12 ft. 3 in.)	3.73 m (12 ft. 3 in.)	3.73 m (12 ft. 3 in.)
S Dump Clearance, Bucket at 45 deg.	2.89 m (9 ft. 6 in.)	2.81 m (9 ft. 3 in.)	2.92 m (9 ft. 7 in.)
T Reach at Full Height, Bucket at 45 deg.	768 mm (30.2 in.)	849 mm (33.4 in.)	763 mm (30 in.)
U Digging Depth Below Ground, Bucket Level	157 mm (6.2 in.)	157 mm (6.2 in.)	141 mm (5.5 in.)
V Length from Front Axle Centerline to Bucket Cutting Edge	2.14 m (7 ft. 0 in.)	2.26 m (7 ft. 5 in.)	2.11 m (6 ft. 11 in.)

**Lift Capacity with Quick-Coupler Forks**

Hydraulic Capacity	1219-mm (48 in.) Tines
A <sup>1</sup> Maximum Height	2632 kg (5,803 lb.)
B <sup>1</sup> Maximum Reach	4378 kg (9,651 lb.)
C <sup>1</sup> At Ground Line	6057 kg (13,353 lb.)
D <sup>1</sup> Below Ground Line	140 mm (5.5 in.)



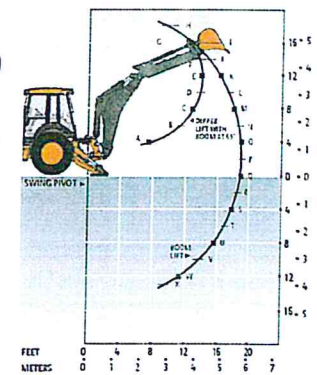
With Standard Dipperstick

**Lift Capacities**

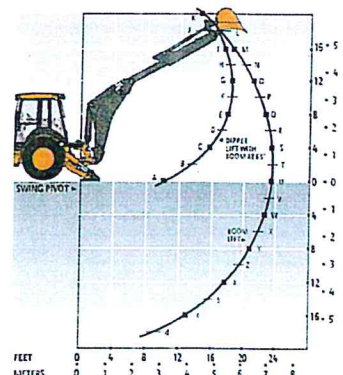
Lift capacities are over-end values in kg (lb.). Figures listed are 100% of the maximum lift force available.

	With Standard Dipperstick		With 1.37-m (4 Ft. 6 in.) Extendable Dipperstick, Retracted		With 1.37-m (4 Ft. 6 in.) Extendable Dipperstick, Extended	
	Standard Lift	Lift Mode	Standard Lift	Lift Mode	Standard Lift	Lift Mode
A	9519 kg (20,986 lb.)	9519 kg (20,986 lb.)	9343 kg (20,597 lb.)	9343 kg (20,597 lb.)	5431 kg (11,973 lb.)	5878 kg (12,958 lb.)
B	5244 kg (11,561 lb.)	5506 kg (12,140 lb.)	5109 kg (11,262 lb.)	5290 kg (11,662 lb.)	3397 kg (7,488 lb.)	3685 kg (8,123 lb.)
C	4492 kg (9,903 lb.)	4732 kg (10,432 lb.)	4344 kg (9,578 lb.)	4520 kg (9,965 lb.)	2914 kg (6,425 lb.)	3,165 kg (6,977 lb.)
D	4087 kg (9,010 lb.)	4419 kg (9,743 lb.)	3932 kg (8,669 lb.)	4229 kg (9,323 lb.)	2659 kg (5,862 lb.)	2889 kg (6,370 lb.)
E	3718 kg (8,197 lb.)	4022 kg (8,866 lb.)	3557 kg (7,843 lb.)	3860 kg (8,510 lb.)	2479 kg (5,466 lb.)	2695 kg (5,942 lb.)
F	3219 kg (7,096 lb.)	3483 kg (7,679 lb.)	3050 kg (6,724 lb.)	3313 kg (7,304 lb.)	2324 kg (5,123 lb.)	2527 kg (5,572 lb.)
G	2304 kg (5,079 lb.)	2497 kg (5,505 lb.)	2122 kg (4,679 lb.)	2314 kg (5,102 lb.)	2164 kg (4,771 lb.)	2355 kg (5,192 lb.)
H	2500 kg (5,512 lb.)	2717 kg (5,990 lb.)	2291 kg (5,052 lb.)	2508 kg (5,530 lb.)	1974 kg (4,351 lb.)	2150 kg (4,740 lb.)
I	2572 kg (5,670 lb.)	2805 kg (6,184 lb.)	2348 kg (5,177 lb.)	2581 kg (5,691 lb.)	1719 kg (3,790 lb.)	1875 kg (4,135 lb.)
J	2532 kg (5,581 lb.)	2766 kg (6,099 lb.)	2301 kg (5,073 lb.)	2536 kg (5,590 lb.)	1340 kg (2,954 lb.)	1467 kg (3,234 lb.)
K	2465 kg (5,434 lb.)	2697 kg (5,947 lb.)	2230 kg (4,916 lb.)	2462 kg (5,428 lb.)	1625 kg (3,583 lb.)	1789 kg (3,944 lb.)
L	2391 kg (5,271 lb.)	2620 kg (5,776 lb.)	2152 kg (4,744 lb.)	2381 kg (5,250 lb.)	1679 kg (3,701 lb.)	1852 kg (4,083 lb.)
M	2316 kg (5,105 lb.)	2541 kg (5,602 lb.)	2074 kg (4,573 lb.)	2300 kg (5,070 lb.)	1685 kg (3,714 lb.)	1862 kg (4,104 lb.)
N	2243 kg (4,945 lb.)	2464 kg (5,433 lb.)	1999 kg (4,407 lb.)	2220 kg (4,895 lb.)	1669 kg (3,680 lb.)	1848 kg (4,073 lb.)
O	2173 kg (4,791 lb.)	2391 kg (5,271 lb.)	1927 kg (4,248 lb.)	2145 kg (4,728 lb.)	1644 kg (3,624 lb.)	1822 kg (4,017 lb.)
P	2107 kg (4,646 lb.)	2321 kg (5,118 lb.)	1859 kg (4,098 lb.)	2073 kg (4,570 lb.)	1613 kg (3,556 lb.)	1791 kg (3,947 lb.)
Q	2045 kg (4,509 lb.)	2256 kg (4,974 lb.)	1794 kg (3,956 lb.)	2005 kg (4,421 lb.)	1579 kg (3,482 lb.)	1756 kg (3,872 lb.)
R	1987 kg (4,381 lb.)	2195 kg (4,840 lb.)	1734 kg (3,823 lb.)	1942 kg (4,282 lb.)	1545 kg (3,406 lb.)	1721 kg (3,793 lb.)
S	1934 kg (4,263 lb.)	2139 kg (4,716 lb.)	1678 kg (3,698 lb.)	1883 kg (4,152 lb.)	1511 kg (3,331 lb.)	1685 kg (3,715 lb.)
T	1884 kg (4,154 lb.)	2088 kg (4,604 lb.)	1625 kg (3,583 lb.)	1829 kg (4,033 lb.)	1477 kg (3,257 lb.)	1650 kg (3,639 lb.)
U	1841 kg (4,058 lb.)	2044 kg (4,506 lb.)	1578 kg (3,479 lb.)	1781 kg (3,927 lb.)	1445 kg (3,185 lb.)	1617 kg (3,565 lb.)
V	1805 kg (3,979 lb.)	2009 kg (4,429 lb.)	1537 kg (3,388 lb.)	1741 kg (3,838 lb.)	1414 kg (3,117 lb.)	1585 kg (3,495 lb.)
W	1786 kg (3,937 lb.)	1995 kg (4,397 lb.)	1509 kg (3,327 lb.)	1718 kg (3,787 lb.)	1385 kg (3,054 lb.)	1556 kg (3,429 lb.)
X	1794 kg (3,954 lb.)	2009 kg (4,429 lb.)	1508 kg (3,325 lb.)	1723 kg (3,799 lb.)	1359 kg (2,995 lb.)	1529 kg (3,370 lb.)
Y	—	—	—	—	1335 kg (2,943 lb.)	1505 kg (3,318 lb.)
Z	—	—	—	—	1316 kg (2,900 lb.)	1486 kg (3,277 lb.)
a	—	—	—	—	1302 kg (2,871 lb.)	1475 kg (3,251 lb.)
b	—	—	—	—	1299 kg (2,865 lb.)	1476 kg (3,253 lb.)
c	—	—	—	—	1322 kg (2,914 lb.)	1506 kg (3,321 lb.)
d	—	—	—	—	1453 kg (3,202 lb.)	1666 kg (3,673 lb.)

<sup>1</sup>Indicates capacity is stability limited. Lift capacities are over end with stabilizers down and tires tangent to ground.



With Extendable Dipperstick, Retracted



With Extendable Dipperstick, Extended



# Additional equipment

Key: ● Standard ▲ Optional or special See your John Deere dealer for further information.

310L							310SL								
EP	310L	310SL	HL	315SL	410L	710L	Engine	EP	310L	310SL	HL	315SL	410L	710L	Backhoe (continued)
●	●	●	●	●	●	●	Coolant recovery tank with low-level indicator		●						Standard dipperstick digging depth (cont.)
●	●	●	●	●	●	●	Foldout, hinged cooling system			●					4.30 m (14 ft. 1 in.)
●	●	●	●	●	●	●	Serpentine belt with automatic belt tensioner				●				4.35 m (14 ft. 3 in.)
●							Viscous variable-rate cooling fan						●		4.59 m (15 ft. 1 in.)
	●	●	●	●	●	●	Electronically controlled, variable-rate suction-type cooling fan							●	4.85 m (15 ft. 11 in.)
	●	●	●	●	●	●	Self-cleaning exhaust aftertreatment system	▲	▲	▲	▲	▲			5.26 m (17 ft. 3 in.)
▲	▲	▲	▲	▲	▲	▲	Chrome exhaust extension							▲	Extendable dipperstick extension
●	●	●	●	●	●	●	Grid heat			▲	●	▲	●		1.06 m (3 ft. 6 in.)
▲	▲	▲	▲	▲	▲	▲	Glow plugs	▲	▲	▲	▲	▲			1.21 m (4 ft. 0 in.)
▲	▲	▲	▲	▲	▲	▲	1,000-watt electric engine coolant heater	▲	▲	▲	▲	▲			1.37 m (4 ft. 6 in.)
●	●	●	●	●	●	●	Electronic fuel lift pump	▲	▲	▲	▲	▲	▲	●	Heavy-duty (HD) backhoe bucket cylinder
							<b>Powertrain</b>								
●							4-speed manual synchromesh transmission	●	●	●	●	●	●	●	ISO (Deere) 2-lever mechanical backhoe controls
	●						PowerShift™ transmission: Torque converter with twist-grip Transmission Control Lever (TCL) and neutral safety switch interlock (1st through 4th gears)	●	●	●	●	●	●	●	2-lever pilot controls with pattern-selection feature
		●	●	●	●		PowerShift transmission: Torque converter with twist-grip TCL and neutral safety switch interlock (1st through 5th gears)			▲	●	●	●	●	Backhoe transport lock lever
		●	●	●	●		5th-gear overdrive			▲	▲	▲	▲	▲	Swing lock pin stored in operator's station
		●	●	●	●	●	AutoShift transmission			▲	▲	▲	▲	▲	Stabilizers with 2-direction anti-drift valves
●	●	●	●	●	●	●	Transmission oil cooler	▲	▲	▲	▲	▲	▲	▲	Extended (long) stabilizers with reversible pads
▲	▲	▲	▲	▲	▲	▲	Transmission remote oil-sampling port	▲	▲	▲	▲	▲	▲	▲	Severe-duty backhoe bucket with lift loops
●	●	●	●	●	●	●	Differential lock, electric foot actuated, protection on/off (software enabled)	▲	▲	▲	▲	▲	▲	▲	Backhoe couplers for John Deere, Case, and Cat buckets
				●			Differential lock, electric foot actuated			▲	▲	▲	▲	▲	Auxiliary backhoe valve with 1-way flow for hammers and compactors with plumbing
				●			Auto shutdown			▲	▲	▲	▲	▲	Auxiliary backhoe valve with 1- and 2-way flow for swingers, thumbs, augers, etc. (plumbing not included)
				●			Planetary final drives	▲	▲	▲	▲	▲	▲	▲	Hydraulic thumb
●	●	●	●	●	●	●	Power-assisted hydraulic service brakes (conform to ISO 3450): Inboard, wet multi-disc, self-adjusting and self-equalizing			▲	▲	▲	▲	▲	Rear hydraulic coupler
●	●	●	●	●	●	●	Parking/emergency brake with electric switch control (conforms to ISO 3450): Spring applied, hydraulically released wet multi-disc / Independent of service brakes			▲	▲	▲	▲	▲	Spring-type coupler
●	●	●	●	●	●	●	Hydrostatic power steering with emergency manual mode			▲	▲	▲	▲	▲	<b>Loader<sup>1</sup></b>
▲	▲	▲	▲	▲	▲	▲	Non-powered front axle			▲	▲	▲	▲	▲	Loader bucket anti-spill (rollback)
●	●						MFWD with open differential: Electric on/off control / Sealed axle (310L only)			▲	▲	▲	▲	▲	Return-to-dig feature
		▲	●	●	●	●	MFWD with traction-control limited-slip differential: Electric on/off control / Sealed axle	▲	▲	▲	▲	▲	▲	▲	Single-lever control with electric clutch disconnect
		●	●	●	●	●	Automatic MFWD braking	▲	▲	▲	▲	▲	▲	▲	Bucket-level indicator
▲	▲	▲	▲	▲	▲	▲	MFWD driveshaft guard	▲	▲	▲	▲	▲	▲	▲	Loader boom service lock
							<b>Backhoe</b>								
		●	●		●	●	Lift mode			▲	▲	▲	▲	●	Loader valve with integrated anti-drift checks for hydraulic cylinders controlling loader boom up and bucket dump
		●	●		●	●	Precision mode			▲	▲	▲	▲	●	Auxiliary loader hydraulics with single control lever with EH auxiliary control (MFWD and clutch disconnect)
				●			Standard dipperstick digging depth			▲	▲	▲	▲	●	Hydraulic coupler for buckets, forks, etc.
							4.08 m (13 ft. 5 in.)			▲	▲	▲	▲	●	Standard ride control
●							4.16 m (13 ft. 8 in.)			▲	▲	▲	▲	●	Auto ride control
							<b>Hydraulic System</b>								
								●							124-L/m (32.8 gpm) backhoe flow,
								●							114-L/m (30.1 gpm) loader flow
									●						106-L/m (28 gpm) single-gear pump, open-center system
															136-L/m (36 gpm) tandem-gear pump, open-center system

While general information, pictures, and descriptions are provided, some illustrations and text may include product options and accessories NOT AVAILABLE in all regions, and in some countries products and accessories may require modifications or additions to ensure compliance with the local regulations of those countries.

Net engine power is with standard equipment including air cleaner, exhaust system, alternator, and cooling fan at test conditions specified per ISO 9249. No derating is required up to 1500-mm (5,000 ft.) altitude for the 310L EP. Specifications and design are subject to change without notice. Wherever applicable, specifications are in accordance with ISO standards. Except where otherwise noted, these specifications are based on 310L EP and 310L units with 19.5L-24-in. 12PR (R4) tubeless rear and 12-16.5 12PR (F3) front tires, and 0.86-m<sup>3</sup> (1.12 cu. yd.) loader buckets; a 310SL unit with 19.5L-24-in. 12PR (R4) tubeless rear and 12.5-80/18 10PR (R4) front tires, and 1.00-m<sup>3</sup> (1.31 cu. yd.) loader bucket; a 310SL HL unit with lift mode, 19.5L-24-in. 12 PR (R4) tubeless rear and 12.5/80-18 12PR (R4) front tires, and 1.00-m<sup>3</sup> (1.31 cu. yd.) loader bucket; a 315SL unit with 16.9L-28 R4 (12) tubeless rear and 12.5-80-18 10PR (R4) front tires, and 1.00-m<sup>3</sup> (1.31 cu. yd.) loader bucket; a 410L unit with 21L-24-in. 12PR (R4) tubeless rear and 12.5/80-18 10PR (R4) front tires, and 1.15-m<sup>3</sup> (1.5 cu. yd.) loader bucket; and a 710L unit with 21L-28-in. 18PR (R4) tubeless rear and 15-19.5-in. 12PR (R4) front tires, and 1.24-m<sup>3</sup> (1.62 cu. yd.) loader bucket.



# Additional equipment *(continued)*

Key: ● Standard ▲ Optional or special See your John Deere dealer for further information.

310L EP	310L	310SL	HL	315SL	410L	710L	Hydraulic System <i>(continued)</i>
		●	●			●	159-L/m (42 gpm) axial-piston pump, pressure-compensated load-sensing (PCLS) system
				●	●	●	197-L/m (52 gpm) axial-piston pump, PCLS system
		●	●	●	●	●	Auto-idle
		●	●	●	●	●	Economy mode
●	●	●	●	●	●	●	Dedicated hydraulic reservoir
<b>Electrical System</b>							
●	●	●	●	●	●	●	12-volt system
●							130-amp alternator
	●	●	●	●	●		145-amp alternator
						●	160-amp alternator
●	●	●	●	●	●		Single battery with 180-min. reserve capacity and 925 CCA
▲	▲	▲	▲	▲	▲	●	Dual batteries with 360-min. reserve capacity and 1,850 CCA
▲	▲	▲	▲	▲	▲	▲	Remote jump posts and battery disconnect
<b>Lights</b>							
●							Halogen lights (4), 32,500 candlepower each (2 front and 2 rear)
	●	●	●	●	●	●	Halogen lights (10), 32,500 candlepower each (4 front driving/working, 4 rear working, and 2 side docking)
●	●	●	●	●	●	●	Turn signal/flashing (2 front and 2 rear)
●	●	●	●	●	●	●	Rear stop and tail (2)
▲	▲	▲	▲	▲	▲	▲	LED light package
		▲	▲		▲		Boom-light field kit (2 LED floods)
<b>Operator's Station</b>							
●	●	●	●	●	●	●	Modular-design ROPS/FOPS (Level 2) canopy with molded roof (meets ISO 3449 and ISO 3471/SAE J1040); isolation mounted
●	●	●	●	●	●	●	Molded floor mats (with pilot controls only)
●	●	●	●	●	●	●	12-volt outlet
●	●	●	●	●	●	●	Lockable right-side storage
▲	▲	▲	▲	▲	▲	▲	Lockable left-hand storage with cup holders
▲	▲	▲	▲	▲	▲	▲	Interior front-view mirror
▲	▲	▲	▲	▲	▲	▲	Outside rearview mirrors
●	●	●	●	●	●	●	Rotary-dial hand throttle
●	●	●	●	●	●	●	Suspended foot throttle
●							Mechanical-suspension seat, vinyl cover
	●	●	●	●	●	●	Mechanical-suspension seat, cloth cover
▲	▲	▲	▲	▲	▲	▲	Air-suspension heated seat (with cab only)
▲	▲	▲	▲	▲	▲	▲	Air-suspension vinyl seat
●	●	●	●	●	●	●	Key start switch with electric fuel shutoff
●	●	●	●	●	●	●	Tilt steering, infinitely adjustable (with cab only)
▲	▲	▲	▲	▲	▲	▲	Tilt steering, infinitely adjustable (with canopy and quarter cab)
		●	●	●	●	●	Keyless start
▲	▲	●	●	●	●	●	Machine security (enabled through monitor)
●	●	●	●	●	●	●	Digital display of engine hours, engine rpm, and system voltage
		●	●	●	●	●	Sealed-switch module (SSM)

310L EP	310L	310SL	HL	315SL	410L	710L	Operator's Station <i>(continued)</i>
●	●	●	●	●	●	●	Multi-function lever: Turn signals / Windshield wipers / Some light functionality
							Monitor system with audible and visual warnings: Engine air restriction / Low alternator voltage / Engine oil pressure / Hydraulic filter restriction / Parking brake on/off / Aftertreatment temperature / Transmission fluid temperature / Fuel / Hour meter / Machine diagnostic information via 4-push-button/LCD operator interface
●	●	●	●	●	●	●	Canopy: Mechanical-suspension deluxe vinyl swivel seat with lumbar adjustment and armrests (fully adjustable)
		▲	▲				Quarter Cab: Mechanical-suspension deluxe vinyl swivel seat with lumbar adjustment and armrests (fully adjustable), front windshield, and windshield wiper (1 front)
▲	▲	▲	▲	▲	▲	▲	Cab with Dual Doors and A/C: Mechanical-suspension deluxe fabric swivel seat with lumbar adjustment / Headliner, dome light, left and right cab doors, tinted safety glass, windshield wipers (1 rear and 1 front), front windshield washer, fresh-air intake, and heater/defroster/pressurizer (11.7-kW [40,000 Btu/h] heater) / A/C (7.6-kW [26,000 Btu/h] output and CFC-free R134a refrigerant)
▲	▲	▲	▲	▲	▲	▲	AM/FM/weather-band (WB) radio (with cab only)
▲	▲	▲	▲	▲	▲	▲	Premium radio package (with cab only; includes additional 12-volt and USB outlets)
<b>Overall Vehicle</b>							
●	●	●	●	●	●	●	1-piece unitized construction mainframe
●	●	●	●	●	●	●	Vehicle tie-downs (2 front and 2 rear)
●	●	●	●	●	●	●	Remote grease bank for front axle
●	●	●	●	●	●	●	Front bumper cover
▲	▲	▲	▲	▲	▲	▲	HD front bumper
▲	▲	▲	▲	▲	▲	▲	Front counterweight – 204 kg (450 lb.), 272 kg (600 lb.), 340 kg (750 lb.), 454 kg (1,000 lb.), 567 kg (1,250 lb.), or 680 kg (1,500 lb.)
							Rubber grille bumpers
●	●	●	●	●	●	●	Fuel tank, 128.71 L (34 gal.), ground-level fueling
						●	Fuel tank, 174.1 L (46 gal.), ground-level fueling
●	●	●	●	●	●	●	2-position easy-tilt hood
●	●	●	●	●	●	●	Extended grille frame
▲	●	●	●	●	●	●	Toolbox with padlock hasp
●	●	●	●	●	●	●	Vandal protection for locking monitor, engine hood, toolbox, hydraulic reservoir, and fuel tank
●	●	●	●	●	●	●	Reverse warning alarm
●	●	●	●	●	●	●	Dent-resistant full-coverage rear fenders
▲	▲	▲	▲	▲	▲	▲	Backhoe boom-protection plate
▲	●	●	●	●	●	●	JDLink™ wireless communication system (available in specific countries; see your dealer for details)
▲	▲	▲	▲	▲	▲	▲	HD front grille screen
▲	▲	▲	▲	▲	▲	▲	HD stabilizer pads

While general information, pictures, and descriptions are provided, some illustrations and text may include product options and accessories NOT AVAILABLE in all regions, and in some countries products and accessories may require modifications or additions to ensure compliance with the local regulations of those countries.

Net engine power is with standard equipment including air cleaner, exhaust system, alternator, and cooling fan at test conditions specified per ISO 9249. No derating is required up to 1500-mm (5,000 ft.) altitude for the 310L EP. Specifications and design are subject to change without notice. Wherever applicable, specifications are in accordance with ISO standards. Except where otherwise noted, these specifications are based on 310L EP and 310L units with 19.5L-24-in. 12PR (R4) tubeless rear and 12-16.5 12PR (F3) front tires, and 0.86-m<sup>3</sup> (1.12 cu. yd.) loader buckets; a 310SL unit with 19.5L-24-in. 12PR (R4) tubeless rear and 12.5-80/18 10PR (R4) front tires, and 1.00-m<sup>3</sup> (1.31 cu. yd.) loader bucket; a 310SL HL unit with lift mode, 19.5L-24-in. 12 PR (R4) tubeless rear and 12.5/80-18 12PR (R4) front tires, and 1.00-m<sup>3</sup> (1.31 cu. yd.) loader bucket; a 315SL unit with 16.9L-28 R4 (12) tubeless rear and 12.5-80-18 10PR (R4) front tires, and 1.00-m<sup>3</sup> (1.31 cu. yd.) loader bucket; a 410L unit with 21L-24-in. 12PR (R4) tubeless rear and 12.5/80-18 10PR (R4) front tires, and 1.15-m<sup>3</sup> (1.5 cu. yd.) loader bucket; and a 710L unit with 21L-28-in. 18PR (R4) tubeless rear and 15-19.5-in. 12PR (R4) front tires, and 1.24-m<sup>3</sup> (1.62 cu. yd.) loader bucket.





JOHN DEERE

[JohnDeere.com](http://JohnDeere.com)

# RISING TO THE CHALLENGE.

Every day brings new challenges — demanding jobsites, long hours, and an increasing focus on uptime. Our job is to bring you the opportunities to overcome them. Our experienced engineers, specialized service techs, and global parts and service network are always ready to step up to help you **Run Your World.**



DKAL6HL Litho in U.S.A. (20-10)





**JOHN DEERE**

# Retail Purchase Order

RDO Equipment Co.  
5221 Midland Road  
Billings MT, 59101  
Phone: (406) 259-5536 - Fax: (406) 256-2269

**Bill To:**  
CITY OF LAUREL  
PO BOX 10  
LAUREL, MT, 590440010  
YELLOWSTONE ()  
(406) 628-7431

**Purchase Order Date:** 2/24/2021  
**Purchase Order #:** 1392289  
**Purchaser Account #:** 044001  
**Customer Sales Tax Exempt #:** None  
**Customer Purchaser Type:** Governmental - City/Town/Village  
**Customer Market Use:** Underground - Sewer/Water  
**Location of First Working Use:** LAUREL, MT, 590440010  
**Dealer Account Number:** 178726  
**Sales Professional:** Matt Eaton  
**Phone:** (406) 259-5536  
**Fax:** (406) 256-2269  
**Email:** MEaton@rdoequipment.com

## Equipment Information

Quantity	Serial Number Stock Number	Hours (approx.)	Status / Year / Make / Model Additional Items	Cash Price
1	TBD TBD	0	New 2021 JOHN DEERE 710L  Warranty -John Deere Comprehensive-60 Months, 5000 Hours,Deductible: 0, Exp Date: 2/2/2026	\$165,500.00  \$0.00
1	TBD TBD	0	Attachment - New 2021 JRB Thumb 710L	\$0.00
1	TBD TBD	0	Attachment - New 2021 JRB Quick Hitch Coupler	\$0.00
1	TBD TBD	0	Attachment - New 2021 JRB 30" QH Bucket	\$0.00
<b>Equipment Subtotal:</b>				<b>\$165,500.00</b>

## Purchase Order Totals

**Balance:** \$165,500.00  
**MT STATE TAX:** \$0.00  
**Sales Tax Total:** \$0.00  
**Sub Total:** \$165,500.00  
**Cash with Order:** \$0.00  
**Balance Due:** \$165,500.00



## Legal Information

### For the Construction Product(s)

**ACKNOWLEDGMENTS** - Purchaser offers to sell, transfer, and convey the item(s) listed as "Trade In" to the Dealer at or prior to the time of delivery of the above Product(s), as a "trade-in" to be applied against the cash price. Purchaser represents that each "trade-in" item shall be free and clear of all security interests, liens, and encumbrances at the time of transfer to the Dealer except to the extent shown below. The price to be allowed for each "trade-in" item is listed on this document. The Purchaser promises to pay the balance due shown hereon in cash, or to execute a Time Sale Agreement (Retail Installment Contract), or a Loan Agreement for the purchase price of the Product(s), plus additional charges shown thereon, or to execute a Lease Agreement, on or before delivery of the Product(s) ordered herein. Despite delivery of the Product(s) to the Purchaser, title shall remain with the Seller until one of the foregoing is accomplished. Except as provided herein and as necessary to protect RDO Equipment from the claims of a bankruptcy trustee or a buyer in the ordinary course or business, the Purchaser and the Dealer agree that this Purchase Order is not a security agreement and that delivery of the Product(s) to the Purchaser pursuant to this Purchase Order will not constitute possession of the Product(s) by the Purchaser, as a debtor, for the purposes of the purchase money security provisions in any statutes relating to personal property security or its equivalent. Purchaser understands that its rights in connection with this purchase are limited as set forth in this Purchase Order. I (we) hereby grant a security interest to RDO Equipment in the Product.

**DISCLOSURE OF REGULATION APPLICABILITY** - When operated in California, any off-road diesel vehicle may be subject to the California Air Resources Board In-Use Off-Road Diesel Vehicle Regulation. It therefore could be subject to retrofit or accelerated turnover requirements to reduce emissions of air pollutants. More information is available on the California Air Resources Board website at <http://www.arb.ca.gov/msprog/ordiesel/ordiesel.htm>.

**IMPORTANT WARRANTY NOTICE** - The Standard Warranty for new John Deere construction and forestry products is set forth in a separate document provided by the dealer. Please read the Standard Warranty carefully before signing. No express warranty is made unless specified in the Warranty Statement. PURCHASER'S RIGHTS AND REMEDIES PERTAINING TO THIS PURCHASE ARE LIMITED AS INDICATED IN THE STANDARD WARRANTY AND PURCHASE ORDER. WHERE PERMITTED BY LAW, NO IMPLIED WARRANTY OF MERCHANTABILITY OR FITNESS IS MADE.

**TERMS & CONDITIONS VERIFICATION STATEMENT** Use of John Deere Data Services ("Services"), if applicable, and all rights and obligations of John Deere and the Purchaser (or "Customer" as identified in the applicable agreement), are governed by the terms and conditions outlined in the Warranty Statement and the applicable John Deere Construction & Forestry Company Subscriptions & Data Services Dealer Agreement and/or Customer Data Services agreements available at [www.JohnDeere.com/Agreements](http://www.JohnDeere.com/Agreements). Purchaser agrees to be bound by these terms and conditions if Purchaser activates or otherwise uses any of the Data Services. If Purchaser does not agree to these terms and conditions, Purchaser must not activate or otherwise use the Data Services.

The undersigned purchaser(s) (the "Purchaser") hereby orders the product (the "Product") described above from the Dealer. The Dealer shall not be liable for failure to provide the Product or for any delay in delivery if such failure or delay is due to the Dealer's inability to obtain such Product from the manufacturer or supplier or other cause beyond the Dealer's control. The cash price shown above is subject to the Dealer receiving the Product from the manufacturer or supplier prior to any change in price by the manufacturer or supplier and is also subject to any new or increased taxes being imposed upon the sale of the Product after the date of this Purchase Order.

Upon signature of delivery acknowledgment, customer is accepting the equipment, including attachments, in "AS IS" condition, agreeing to notify RDO Equipment Co. within 24 hours of any damages or discrepancies found upon receipt of equipment.

## Signature Area

### Purchase Order Accepted By:



(Customer's Signature)

2/23/2021  
(Date Accepted)

(Authorized Signature of Dealer)

(Date Accepted)

### Delivery of Equipment Acknowledgement:

(Customer's Signature)

/ /  
Date Accepted

### Standard Warranty Acknowledgement:

(Delivered On)

(Warranty Begins)

### Extended Warranty Oil Sampling Acknowledgement:

(Customer's Initials)

((deal owner's title)'s Initials)



## Equipment Options

Qty	Serial Number	Year / Make / Model	Description
1	TBD	2021 JOHN DEERE 710L	0AC1T 710L BACKHOE LOADER 2401 English Decals with English Operator and Safety Manuals 170C JDLINK Ultimate 5 Year Subscription 3095 Mechanical Front Wheel Drive (MFWD) with Limited Slip Differential Autoshift Transmission 2035 Cab 9060 Front View Mirror 9210 Left Side Console Storage with Cup Holders 9917 Radio, Bosch Basic Package 9920 Exterior Rear View Mirrors (2) 9965 Seat, Cloth Air-Suspension 4472 Galaxy 21L-28 18PR Rear & 15-19.5 12PR Front Tires 8685 Dual Maintenance Free Batteries With Disconnect and Jump Post 9905 Strobe Light with Magnetic Mount 6020 Extendible Dipperstick 6230 Auxiliary Hydraulic with One & Two Way Flow (Hammer & Thumb/Swinger) 5285 Pilot Controls, Two Lever, with Pattern Selection 9947 Heavy-Duty Stabilizer Pads 7080 Three-Function Loader Hydraulics, Single Lever 8490 1500 lbs. (680 kg.) Counterweight 1065 John Deere PowerTech™ EWL 4.5L (276 Cu. In.) Engine Meets Final Tier 4 and Stage IV Emissions 9080 Engine Coolant Heater AT194368 Auxiliary Backhoe Hydraulic Plumbing Kit, Two-Way for Thumb, Clamp, Swinger or Jaw Bucket 7665 1.62 Cu. Yd. (1.24 Cu. M.) Bucket 96 Inch (2.44 M.)with Auxiliary Cutting Edge and Skid Shoes
1	TBD	2021 JRB Thumb 710L	Hydraulic Thumb 710L 12HTM_JRB, Main Pin
1	TBD	2021 JRB Quick Hitch Coupler	CP_036 Quick Hitch Coupler
1	TBD	2021 JRB 30" QH Bucket	0000035E030BM4N000NNHNN 30" QH Bucket W/ TK300 Teeth



## STANDARD WARRANTY FOR NEW JOHN DEERE CONSTRUCTION, UTILITY, CCE AND FORESTRY PRODUCTS – US & Canada

- **Construction, Forestry & Compact Construction Equipment (CCE) Products\***: 12 months Full Machine Standard Warranty
- **\* Compact Construction Equipment Products** Delivered and settled on or after 01 June 2018: 24 months or 2000 hours (whichever comes first) Full Machine Standard Warranty
- **C&E Series Pull-Type Scrapers**: 6 months Full Machine Standard Warranty
- **DC & DE Series Pull-Type Scrapers**: 12 months Full Machine Standard Warranty
- **Scraper Tractors**: 24 Months or 2000 Hours (whichever occurs first) Full Machine Standard Warranty
- **Forestry Attachments**: 12 Months or 2000 Hours (whichever occurs first) Full Machine Standard Warranty
- **Frontier Equipment**: 6 months Full Machine Standard Warranty (90 days in rental applications)

The "Standard Warranty" is part of the warranty protection package available from John Deere Construction & Forestry Company (John Deere Limited in Canada) ("John Deere") to purchasers of new John Deere products ("product"):

**STANDARD Warranty** is John Deere's standard new product warranty, described in this document, provided at no additional charge to the purchaser.

**EXTENDED Warranty** is a separate repair contract made available by John Deere for purchasers who wish to complement their Standard Warranty coverage. Complete Extended Warranty details, including coverage options and limitations, are set forth in the Application for Extended Warranty, which is available from authorized John Deere dealers.

**STRUCTURAL Warranty** applies to certain structural components as listed below and as described in this document.

**FACTORY-INSTALLED UNDERCARRIAGE Warranty** applies to certain undercarriage components as listed below and as described in this document.

### A. STANDARD WARRANTY - GENERAL PROVISIONS

John Deere will repair or replace, at its option, any parts (except those specified below) of a new John Deere product that, as delivered to the original retail purchaser(s), are defective in material or workmanship. Performance of this warranty will be free of charge for parts and labor/labour, except as otherwise stated below. Standard Warranty applies only to purchases from John Deere and authorized John Deere dealers and, except as otherwise provided in the next sentence and section L below, is extended only to the original retail purchaser of the product. Remaining Standard Warranty applicable to a used John Deere product is transferred to a subsequent purchaser of the product only if the subsequent purchaser requests a transfer from an authorized John Deere dealer before the product's Standard Warranty expires. Coverage begins on the date of delivery of the product to the original retail purchaser. For purposes of this warranty, a product that has been rented, used for demonstration purposes for 150 or more hours, or otherwise used prior to its original retail purchase has been "used" for the total duration of such use. Warranty statements required by law covering engine emissions-related parts and components are found on a separate written warranty certificate provided to the purchaser at the time of the original retail purchase.

### B. WHAT IS COVERED BY STANDARD WARRANTY -

All parts of a new John Deere product (except those noted in Sections D and E below) are covered during the Standard Warranty period set out above.

### C. EXCLUSIVE REMEDY -

The repair or replacement of covered parts or components that are defective, as provided in Sections A, B, D.2 and D.3 herein, shall be the purchaser's exclusive remedy for any defect in the product. However, if after repeated attempts such repair or replacement fails to correct the performance problem caused by the defect, the purchaser's sole remedy shall be a refund of the amount paid for the product (in exchange for a return of the product), excluding any transportation charges, license fees, taxes and insurance premiums, and less a reasonable allowance for use of the product prior to its return. In no event will the dealer, John Deere or any company affiliated with John Deere be liable for any incidental or consequential damages, including but not limited to loss of profits, rental of substitute equipment or other commercial loss. Correction of defects in the manner provided above shall constitute fulfillment of all liabilities of the Dealer, John Deere, or any company affiliated with John Deere to the purchaser or any other



person, whether based upon contract, tort, strict liability, or otherwise. This limitation does not apply to claims for personal injury.

#### D. ITEMS COVERED SEPARATELY -

1. Standard Warranty does not apply to batteries, radios, tires, cameras, or to Cummins, MTU or Detroit Diesel Engines installed in John Deere products, which are covered by separate written warranties.
2. Factory-Installed Undercarriage Warranty covers all non-rubberized factory-installed undercarriage wear components for 3 years or 4,000 hours from the date of delivery to the original retail purchaser, whichever occurs first (unless terminated earlier under Section F, below). For purposes of this warranty, a product that has been rented, used for demonstration purposes for 150 or more hours, or otherwise used prior to its original retail purchase has been "used" for the total duration of such use. In addition to the items listed in section E below, Factory-Installed Undercarriage Warranty does not cover: failures due to wear, machine application, maintenance practices, or improper machine configuration; removal and installation labor/labour; transportation or hauling costs; unapproved parts; non-wear items; and rubberized undercarriage components such as rubber tracks. Warranty claims will be pro-rated based upon wear of the failed component and whether track shoe width is approved by John Deere. Factory-Installed Undercarriage Warranty does not apply to Scraper Tractors.
3. StructurALL Warranty for new John Deere Products (except Compact Excavators & Loaders, Skid-Steer Loaders, Compact Track Loaders, Scraper Tractors, Pull-Type Scrapers, and Forestry Attachments, which are not eligible for StructurALL Warranty) begins at the date of delivery to the original retail purchaser and ends (unless terminated earlier under Section F, below) after three (3) years, or 10,000 hours (whichever occurs first). For purposes of this warranty, a product that has been rented, used for demonstration purposes for 150 or more hours, or otherwise used prior to its original retail purchase has been "used" for the total duration of such use. **StructurALL Warranty applies only to the following structural components listed below as installed on the product at the time of original manufacture.** If a particular component is not listed below it is not covered by StructurALL Warranty.

Arm; Articulation Joint (incl. pins & bushings); Bin Frame; Boom; Carbody; C-Frame\*; Circle Frame; Coupler (John Deere built ONLY); Dipperstick; Draft Frame; Engine Frame; Equipment Frame; Grapple Arch and Grapple Boom; Loader Arm; Loader Frame; Mainframe; Moldboard Lift Arm; NeverGrease™ Pin Joints [Includes steering pin and bushing joints (standard equipment), roller elements (roller bearings) in bucket to boom joints and sliding elements (bushing) for boom and linkage joints (optional equipment)]; Rollover Protection Structure (ROPS); Side Frame; Swing Frame; Track Frame; Undercarriage Frame; X-Frame; Z-bar loader linkage (including bell crank and bucket driver link); Specialty booms and arms marketed as "heavy duty" by John Deere.

*Items Covered by StructurALL for Cut-to-Length Forestry Machines:* Front frame (welded assembly); Rear frame (welded assembly); Crane king post with basement; Middle joint frame; Cabin swing frame; Main Boom

StructurALL Warranty does not apply to:

1. Any product used primarily in extreme duty or severe duty applications such as but not limited to: demolition and wrecking, chemical plant (including fertilizer plants), salt mines, steel mill, land fill and transfer stations, scrap handling, scarifying and other applications that are similarly destructive or similarly heavy duty except specialty booms and arms as stated in Section D.3 above.
2. C-Frames on H-Series & J-Series Crawlers equipped with root rakes or used in forestry applications unless equipped with an "extreme duty" reinforcement package.
3. Cut-to-Length Forestry Heads and Slash Bundler Units.
4. Crawlers equipped with optional side booms.
5. Cut-to-Length Forestry, Excavator, and Log Loader swing bearings.
6. Motor Graders equipped with front- or rear-mounted snow wings.



#### **E. ITEMS NOT COVERED -**

John Deere is NOT responsible for the following:

1. Freight
2. Adjustments to compensate for wear, for periodic maintenance or adjustments that result from normal wear and tear.
3. Damage caused by unapproved adjustments (electronic or mechanical) to machine or machine components outside of published specifications including but not limited to engine, hydraulic components and relief valves.
4. Program updates, calibrations, and pressure adjustments.
5. Diagnostic Time
6. Additional Labor/Labour Time - Above SPG/Labor/Labour Rate
7. Additional Cleaning - Above SPG/Labor/Labour Rate
8. Rental Fees
9. Depreciation or damage caused by normal wear or application, lack of reasonable and proper maintenance, failure to follow operating instructions, misuse, negligence, collision or other accidents.
10. Premiums charged for Overtime Labor/Labour
11. Transportation to and from the dealership.
12. Travel time, mileage or service calls by the dealer.
13. Non-John Deere components or modifications, Rotobec grapples, and attachments installed aftermarket.
14. Shop supplies and maintenance items such as, but not limited to: filters, fuels, oil, hydraulic fluid, lubricants, coolants, conditioners, shop towels, cleaners and degreasers. Note: Reimbursement for refills of oils/coolants lost due to a warrantable failure is covered when a system failure occurs outside the boundaries of a normal oil change (within 25% of specified change interval as provided in the Operator's Manual).
15. Torn, cut, or worn hoses.
16. Wear items, such as, but not limited to: body liner, belts, blades, bulbs, lubricated joints (including pins and bushings), dry brakes, brake linings, dry clutch linings, saw blades, chains, skidder grapple shocks, color marking nozzles, and articulation bumpers.
17. Items such as cutting-edge parts, delimiting knives, bucket teeth and rubber track are not warranted for depreciation or damage caused by normal wear, lack of proper maintenance, misuse, failure to follow operating instructions, the elements or accident.
18. Any defect in a non-covered component, or damage to or failure of a covered component caused by a defect in a non-covered component.
19. Secondary damage which occurs from continued operation of a product after recognition of the occurrence of a failure.
20. Parts supplied or modifications done by third party suppliers.
21. Topping off fluids when fluid levels fall in the range between low and full
22. Parts/Kits not ordered on machine and installed aftermarket. These parts will be covered by any applicable parts warranty.
23. Attachments installed aftermarket – i.e. Winch not installed at factory.
24. Custom options installed outside the factory – i.e. G.R. Manufacturing option packages.
25. Used Products (except as otherwise provided in section L below).

#### **F. TERMINATION OF WARRANTY-**

John Deere is relieved of its obligations under Standard Warranty, StructurALL Warranty, Factory-Installed Undercarriage Warranty and/or Extended Warranty if:

1. Service (other than normal maintenance and replacement of service items) is performed by someone other than an authorized John Deere dealer; or
2. The product is modified or altered in ways not approved by John Deere; or
3. Any unapproved or improperly sized attachment is installed on the product. Approval and attachment size shall be at John Deere's sole discretion. (Consult dealer prior to installing attachments or product modification).
4. The product is moved outside the US and/or Canada.

#### **G. PARTS REPLACED UNDER WARRANTY -**

Only new or remanufactured parts or components furnished or approved by John Deere, will be used if John Deere elects to repair the product. If any such part or component is defective in material or workmanship when installed in the product, John Deere will repair or replace, as it elects, such defective part or component, provided the defect is



reported to an authorized John Deere dealer within 90 days of installation or before expiration of the applicable Standard Warranty, Factory-Installed Undercarriage Warranty and/or StructurALL Warranty whichever is later.

#### H. TELEMATICS

*NOTICE: Products may be equipped with telematics hardware and software ("Telematics") that transmit data to John Deere/ Dealer. Purchaser may deactivate Telematics at [www.jdlink.com](http://www.jdlink.com).*

Notwithstanding Purchaser's right, title or interest in the Products, Purchaser agrees that John Deere and Dealer (their affiliates, successors and assigns), without further notice to Purchaser have the right to:

1. Access, use, collect and disclose any data generated by, collected by, or stored in, Products or any hardware or devices interfacing with Products ("Machine Data");
2. Access Machine Data directly through data reporting devices integrated within, or attached to, Products, including Telematics ("Data Reporting Systems"); and
3. Update the Data Reporting Systems software from time to time. Machine Data will only be used in accordance with John Deere's Machine Data Policy, located at [www.JohnDeere.com/MachineDataPolicy](http://www.JohnDeere.com/MachineDataPolicy).

#### I. OBTAINING WARRANTY SERVICE -

To obtain warranty service, the purchaser must request warranty service from a John Deere dealer authorized to sell the product to be serviced. When making such a request, the purchaser must present evidence of the product's delivery date, make the product available at the dealer's place of business, and inform the dealer in what way the purchaser believes the product to be defective. Standard Warranty, Factory-Installed Undercarriage Warranty and/or StructurALL Warranty repairs may be made in the field if the purchaser and servicing dealer so desire. However, John Deere will not be responsible for any charges (such as dealer travel time, mileage or extra labor/labour) that would not have been incurred had the product been repaired at the dealer's place of business.

#### J. NO IMPLIED WARRANTY, CONDITIONS OR OTHER REPRESENTATION -

Where permitted by law, neither John Deere nor any company affiliated with it makes any warranties, representations, conditions or promises, express or implied, as to the quality, performance, or freedom from defect of its products, other than those set forth in this document and **NO IMPLIED WARRANTY OF MERCHANTABILITY, CONDITIONS OR FITNESS IS MADE.**

#### K. NO DEALER WARRANTY -

The selling dealer makes no warranty of its own on any item covered by this warranty, and makes no warranty on other items unless the dealer delivers to the purchaser a separate written warranty certificate specifically warranting the item. **The dealer has no authority to make any representation or promise on behalf of John Deere, or to modify the terms or limitations of this warranty in any way.**

#### L. USED JOHN DEERE PRODUCTS ONLY -

John Deere will transfer remaining Standard Warranty, Factory-Installed Undercarriage Warranty and/or StructurALL Warranty to the purchaser of a used John Deere construction and/or forestry product that has been used for less than the full warranty period provided at the product's original retail purchase. This transfer is not effective until change of ownership is registered by a John Deere dealer. **ALL THE TERMS, INCLUDING LIMITATIONS AND EXCLUSIONS, OF THE JOHN DEERE STANDARD WARRANTY, FACTORY-INSTALLED UNDERCARRIAGE WARRANTY, AND/OR STRUCTURALL WARRANTY ORIGINALLY PROVIDED FOR THE PRODUCT REMAIN IN EFFECT AND APPLICABLE.**